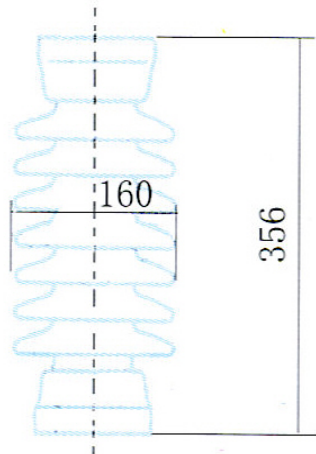
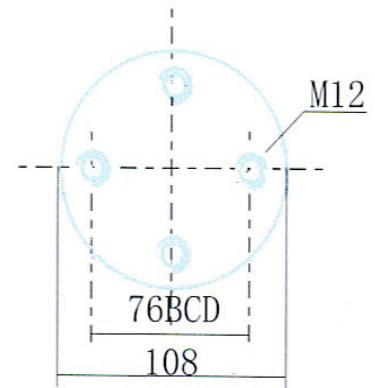


TR205

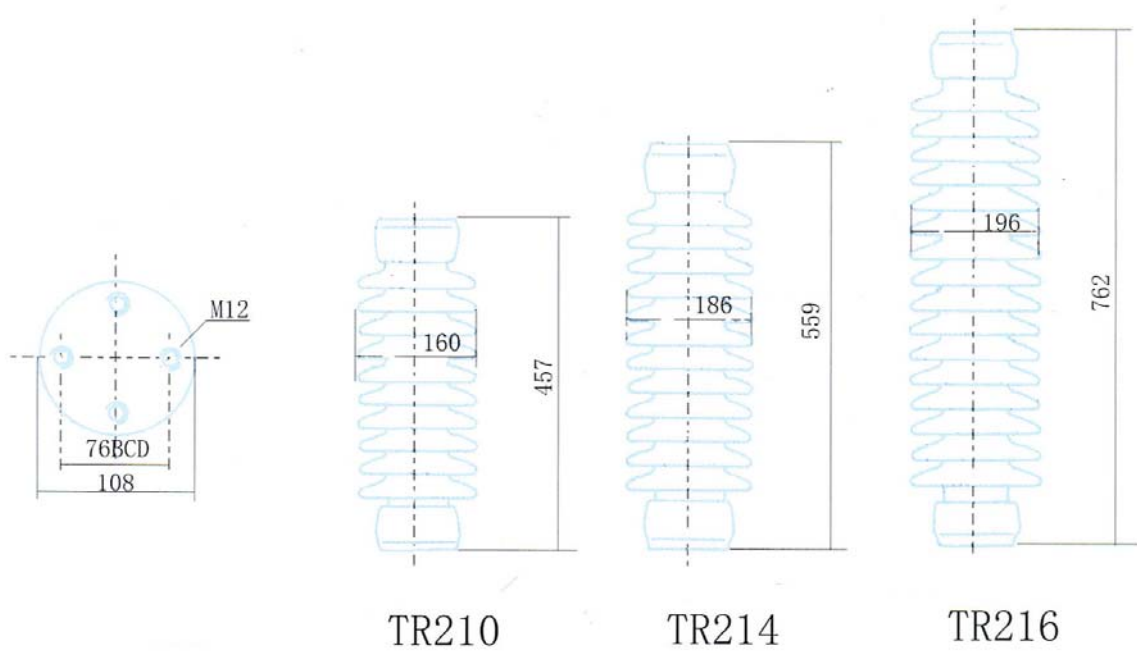


TR208



Station Posts

Catalog Number			AAGC- TR-202	AAGC- TR-205	AAGC- TR-208
ANSI Technical Ref. Number			TR-202	TR-205	TR-208
Dimensions					
Leakage distance	in (mm)		10 - 1/2 (267)	15 - 1/2 (394)	24 (610)
Mechanical Values					
Cantilever Strength	lb (kN)		2,000 (9)	2,000 (9)	2,000 (9)
Tensile Strength	lb (kN)		7,000 (31)	8,500 (38)	10,000 (44)
Compression Strength	lb (kN)		10,000 (44)	10,000 (44)	10,000 (44)
Torsional Strength	in-lb (N-m)		6,000 (678)	7,000 (791)	8,000 (904)
Electrical Values					
Low frequency Withstand	Wet	kV	30	45	60
Critical Impulse Flashover	Positive	kV	105	125	170
Impulse Withstand		kV	95	110	150
Radio Influence Voltage Data					
Test Voltage, rms to ground		kV	5	10	15
Max. RIV at 1000 kHz			50	50	100
Net weight	Lb (kg)		14 (6.35)	14.5 (6.58)	26 (11.79)
Quantity per case	Ea.				
Weight per case	Lb (kg)				



Station Posts

Catalog Number			AAGC - TR-210	AAGC - TR-214	AAGC - TR-216
ANSI Technical Ref. Number			TR-210	TR-214	TR-216
Dimensions					
Leakage distance	in. (mm)		37 (940)	43 (1092)	72 (1829)
Mechanical Values					
Cantilever Strength	lb (kN)		2,000 (9)	2,000 (9)	1500 (7)
Tensile Strength	lb (kN)		12,000 (53)	14,000 (62)	16,000 (71)
Compression Strength	lb (kN)		15,000 (67)	15,000 (67)	25,000 (112)
Torsional Strength	in-lb		10,000 (44)	12,000 (53)	15,000 (66)
Electrical Values					
Low Frequency Withstand	Wet	kV	80	100	145
Critical Impulse Flashover	Positive	kV	225	280	390
Impulse Withstand		kV	200	250	350
Radio Influence Voltage Data					
Test Voltage, rms to ground		kV	22	30	44
Max. RIV at 1000 kHz			100	200	200
Net weight	Lb (kg)		34 (15)	41 (19)	64 (29)
Quantity per case	Ea.				
Weight per case	Lb (kg)				

AMERICA ASIA GROUP CO.

2485 Roanoke Rd, San Marino, CA 91108 Te:626-309-0198 Fax:626-309-0185 Email:aagc888@aol.com